

Parts catalogue

RABBIT MOWER

(EXPORT MODEL)

RM86G (GXV390)

MODEL	CODE NO.
RM86G	0240-ΔΔΔΔΔ

CONTENTS

Fig.1	FRAME & CONTROL-----	1
Fig.2	TRANSMISSION-----	7
Fig.3	FRONT AXLE & TIRE-----	11
Fig.4	ELECTRIC EQUIPMENT-----	17
Fig.5	CUTTING PARTS & COVER-----	19
Fig.6	OPTIONS & ACCESSORIES-----	23

OREC CO.,LTD.

Update : February 2006

Fig. 1 FRAME & CONTROL

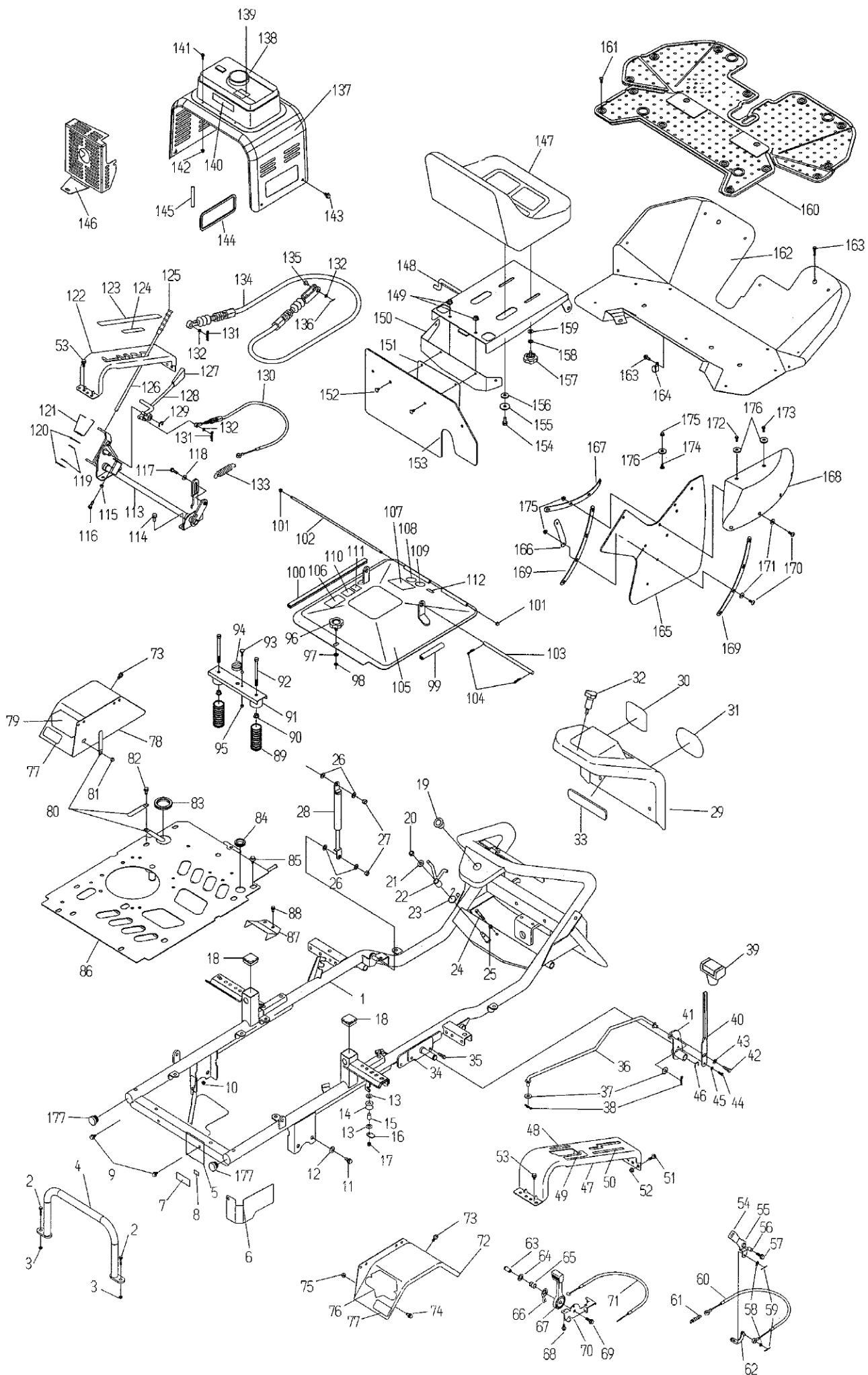


Fig.1 FRAME & CONTROL

Ref.	Parts No.	Parts Name	Quantity RM86G GXV390	Remarks
1	0240-20100	Frame CMP	1	
2	89-1251-080502	Flange Hexagonal Bolt M8*50	2	
3	89-1631-080042	Flange Mini Hexagonal Nut M8	2	
4	0240-22110	Sub Frame CMP	1	
5	0215-84100	Rear Belt Cover 86	1	
6	0240-61100	Rear Belt Cover B	1	
7	80-1488-928-10	Label, Caution for Belt Involving	1	
8	83-1712-923-00	Label, Oil Quantity 1.6 L	1	
9	89-1236-080162	Mini Hexagonal Bolt(PWSW) M8*16	2	
10	89-1631-080042	Flange Mini Hexagonal Nut M8	1	
11	89-1232-100202	Mini Hexagonal Bolt(SW) M10*20	4	
12	89-1713-100002	Flat Washer 10	4	
13	83-1020-355-00	Thrust Washer 12*24*1.0	2	
14	80-1484-354-10	Brake Rod Roller	1	
15	89-3510-012200	DU Bush 12.20	1	
16	80-1484-364-00	Brake Rod Hung Plate	1	
17	89-1543-080002	Mini Hexagonal Nut (SW) M8	1	
18	0207-79500	Square Pipe Cap 38	2	
19	89-3511-022150	DU Bush 22*15*33F	1	
20	89-1561-100002	Mini Hexagonal U Nut M10	1	
21	89-1713-100002	Flat Washer 10	1	
22	80-1484-355-00	Brake Stopper	1	
23	80-1484-356-00	Brake Stopper Return Spring	1	
24	89-1211-080552	Mini Hexagonal Bolt M8*55	1	
25	89-1611-080042	Mini Hexagonal Nut M8	1	
26	89-1713-100002	Flat Washer 10	4	
27	89-1561-100002	Mini Hexagonal U Nut M10	2	
28	0207-72700	Gas Spring KMF 50-40	1	
29	80-1484-213-00	Front Cover	1	
30	80-1484-909-00	Label, RM	1	
31	80-1484-904-00	Label, Main	1	
32	0207-76500	Long Knob Bolt M8*20	1	
33	80-1482-214-00	Battery Pad	1	
34	0240-11700	Change Bracket CMP	1	
35	89-1236-080202	Mini Hexagonal Bolt(PWSW) M8*20	2	
36	0240-26100	Shift Rod CMP	1	
37	89-1711-100002	Flat Washer 10	2	
38	89-2131-100002	Snap Pin 10	2	
39	83-1417-435-00	Lever Grip(Red)	1	
40	80-1490-263-10	Change Lever CMP	1	
41	80-1490-264-10	Change Lever Boss CMP	1	
42	89-1251-080202	Flange Hexagonal Bolt M8*20	1	
43	89-1750-080002	Spring Washer 8	1	
44	89-1113-060142	Hexagonal Bolt (8T) M6*14	1	
45	89-1750-060002	Spring Washer 6	1	
46	89-2521-000150	E Type Ring 15	1	
47	80-1484-267-10	Change Guide	1	
48	0240-71200	Label, Throttle	1	
49	80-1484-A43-00	Label, Differential Lock	1	
50	80-1484-A42-00	Label, Change	1	
51	89-1236-080202	Mini Hexagonal Bolt(PWSW) M8*20	4	
52	89-1631-080042	Flange Mini Hexagonal Nut M8	4	
53	89-1236-080202	Mini Hexagonal Bolt(PWSW) M8*20	4	
54	80-1515-262-00	Arm Grip	1	
55	80-1484-273-10	Differential Lock Lever	1	
56	80-1020-270-00	Inner Collar	1	
57	89-1236-080302	Mini Hexagonal Bolt(PWSW) M8*30	1	
58	89-1711-060002	Flat Washer 6	2	
59	89-2120-200152	Split Pin 2*15	2	
60	83-1484-937-10	Differential Lock Wire	1	
61	80-1425-551-00	Differential Lock Spring	1	
62	80-1481-287-00	Differential Lock Wire Joint	1	

Fig. 1 FRAME & CONTROL

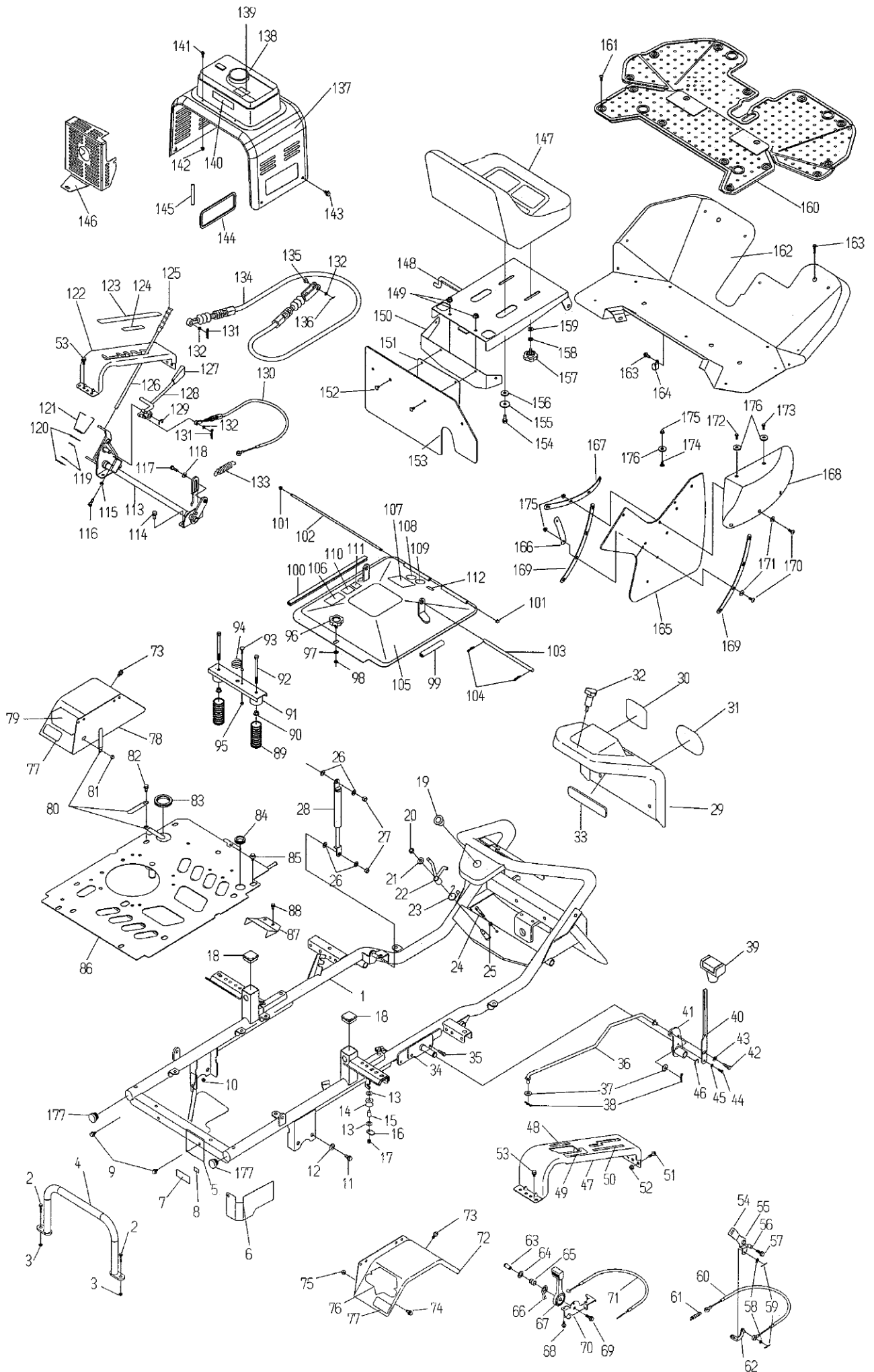


Fig.1 FRAME & CONTROL

Ref.	Parts No.	Parts Name	Quantity RM86G GXV390	Remarks
63	80-1020-262-00	Control Lever Shaft	1	
64	89-1711-120003	Washer 13*21	1	
65	80-1020-263-00	Control Lever Shaft Spring	1	
66	80-1020-264-00	Control Washer	1	
67	80-1020-265-00	Throttle Lever (H)	1	
68	89-1137-060152	Hexagonal Bolt(PW) M6*15	3	
69	89-1236-080162	Mini Hexagonal Bolt(PWSW) M8*16	1	
70	80-1484-266-10	Control Bracket CMP	1	
71	83-1484-952-10	Throttle Wire(NEW) GXV390	1	
72	0238-60200	Fender(R)	1	
73	89-1236-080162	Mini Hexagonal Bolt(PWSW) M8*16	4	
74	89-1236-080202	Mini Hexagonal Bolt(PWSW) M8*20	2	
75	89-1631-080042	Flange Mini Hexagonal Nut M8	1	
76	80-1484-903-00	Label, Rabbit	1	
77	80-1484-907-00	Reflection Seat (Yellow)	2	
78	0238-60100	Fender(L)	1	
79	0240-71100	Label, RM86G	1	
80	80-1792-988-00	Harness Clip 8	4	
81	89-1671-080042	Mini Hexagonal Cap Nut M8	1	
82	89-1236-080202	Mini Hexagonal Bolt(PWSW) M8*20	4	
83	0207-70800	Grommet 45-3.5	1	
84	0207-70900	Grommet 30-3.2(KG-G79QB)	1	
85	83-1490-114-00	Mini Hexagonal Bolt(PWSW) M8*20	3	
86	0215-82300	Engine Base CMP	1	
87	80-1482-316-00	Protection Guard	1	
88	89-1236-080162	Mini Hexagonal Bolt(PWSW) M8*16	2	
89	0215-81600	Seat Spring 167	2	
90	89-1631-100042	Flange Mini Hexagonal Nut M10	2	
91	0215-81800	Seat Receiver CMP	1	
92	89-1111-100802	Hexagonal Bolt M10*80	2	
93	89-1390-060162	Welded Bolt M6*16	1	
94	0207-72900	Seat Switch Spring	1	
95	89-1611-060042	Mini Hexagonal Nut M6	1	
96	0207-76700	Knob Bolt(KG-B2) M8*20	1	
97	89-1711-080002	Flat Washer 8	1	
98	0207-76900	Bonded Washer 8	1	
99	80-1482-492-00	Rubber L40	1	
100	80-1482-467-00	Rubber L340	1	
101	83-1575-189-00	Flange Cap Nut M6	2	
102	0207-21200	Seat Bracket Shaft	1	
103	80-1481-487-00	Seat Receive Pin	1	
104	89-2131-120002	Snap Pin 12	2	
105	0207-20400	Seat Bracket	1	
106	Not for Sale	Label, Serial Number	1	
107	0223-76100	Label, Caution (Large)	1	
108	0215-83100	Attention Mark for Slope	1	
109	0215-83200	Label, Protection Equipment	1	
110	80-1020-932-00	Label, Noise 100db	1	
111	80-1010-933-00	Label, CE	1	
112	83-1310-902-00	OREC Mark	1	
113	0207-10400	Up/Down Adjusting Shaft CMP	1	
114	89-1232-080202	Mini Hexagonal Bolt(SW) M8*20	4	
115	89-1611-080042	Mini Hexagonal Nut M8	1	
116	89-1211-080257	Mini Hexagonal Bolt M8*25	1	
117	89-1235-080252	Mini Hexagonal Bolt (SW) M8*25	2	
118	83-1020-312-00	Washer 8*30*3.2	2	
119	0207-76800	Washer 16*32*2.3	2	
120	89-2120-300252	Split Pin 3*25	2	
121	80-1487-274-00	Cutting Height Lever Spring	1	
122	0207-10510	Cutting Height Guide	1	
123	80-1484-A45-00	Label, Cutting Height Adjustment	1	
124	80-1488-915-00	Label, Knife (13114)	1	

Fig. 1 FRAME & CONTROL

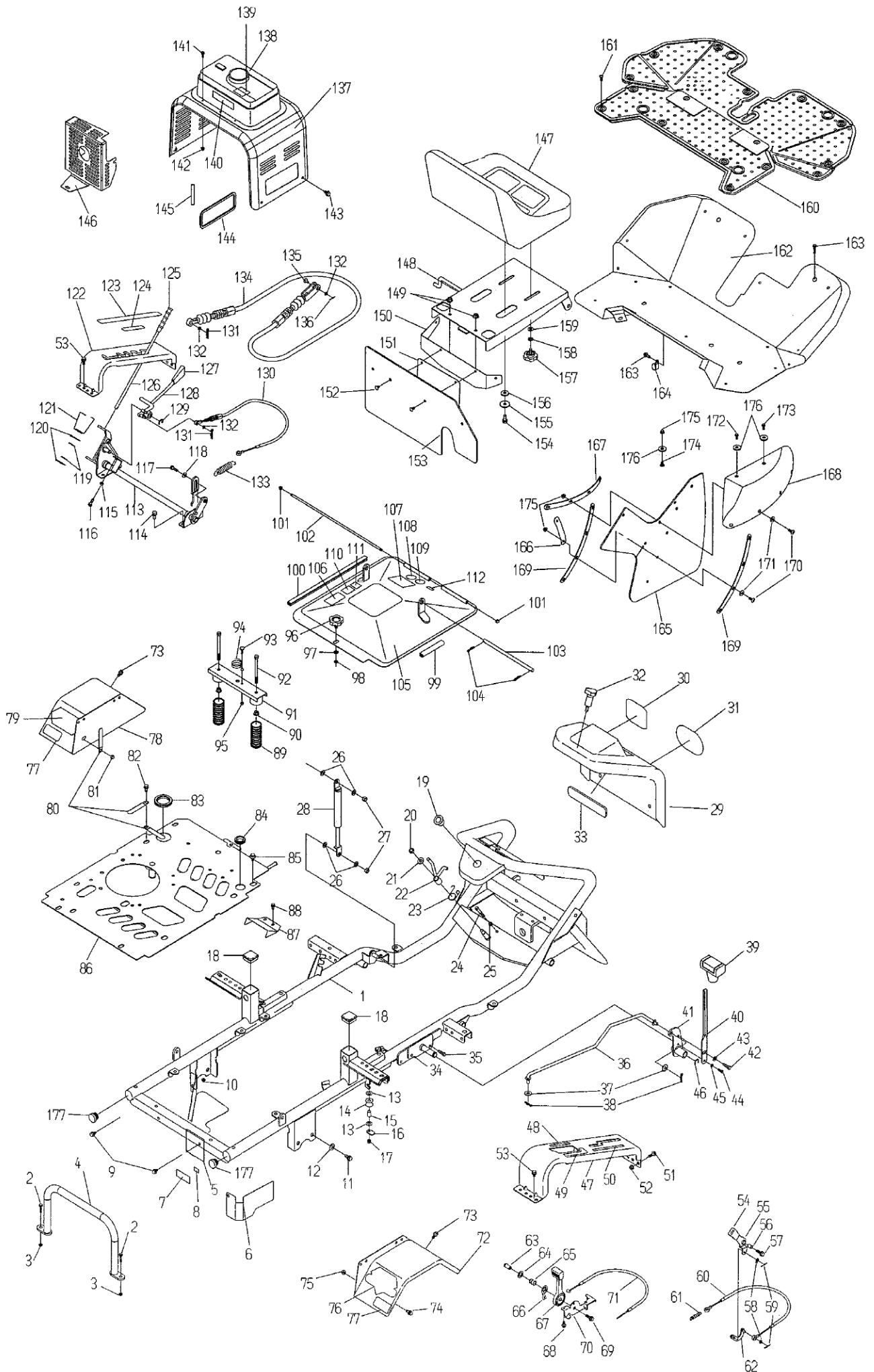


Fig.1 FRAME & CONTROL

Ref.	Parts No.	Parts Name	Quantity RM86G GXV390	Remarks
125	80-1515-339-00	Handle Grip 15	1	
126	80-1482-272-00	Cutting Height Adjust Lever	1	
127	80-1484-262-00	Arm Grip (Red)	1	
128	0207-13800	Knife Clutch Lever	1	
129	89-2521-000120	E Type Ring 12	1	
130	0207-70310	Cutting Clutch Wire	1	
131	89-2132-060002	Snap Pin 6	2	
132	89-1711-060002	Flat Washer 6	3	
133	0207-78400	Spring For Knife Tension Return	1	
134	0207-77510	Knife Brake Wire	1	
135	89-2181-060160	Flat Head Pin 6*16	1	
136	89-2120-200152	Split Pin 2*15	1	
137	0240-60100	Tank Bracket CMP	1	
138	Engine Parts	Fuel Tank Assy (K)	1	
139	Engine Parts	Label, Caution	1	
140	0223-76200	Label, Caution for Engine etc	1	
	0214-72100	Label, Caution for Engine etc	1	*1)
141	89-1159-060168	Truss Mini Screw M6*16	6	
142	83-1575-189-00	Flange Cap Nut M6	6	
143	89-1233-080162	Mini Hexagonal Bolt (PWSW) M8*16	4	
144	0240-72200	Rubber L480	1	
145	0240-74100	Fuel Pipe 6*12*L100 (Red)	1	
146	0240-60200	Muffler Cover	1	
147	80-1481-944-00	Seat GTP-4(Black)	1	
148	0215-81700	Seat Receiver CMP	1	
149	89-1631-080042	Flange Mini Hexagonal Nut M8	2	
150	0207-21500	Wind Shield Setting Plate	1	
151	0240-21700	Shield Reinforce Plate	1	
152	80-1484-369-00	Clip (5347)	4	
153	0207-21600	Wind Shield	1	
154	89-1232-080202	Mini Hexagonal Bolt(SW) M8*20	2	
155	83-1020-314-00	Washer 8*40*2.3	2	
156	0207-76400	Washer 9*25*3.2	2	
157	83-1560-101-00	Knob Bolt M8*15	2	
158	89-1750-080002	Spring Washer 8	2	
159	89-1713-080002	Flat Washer 8	2	
160	0215-20800	Step Rubber	1	
161	83-1484-369-00	Clip(5347)	9	
162	0215-20710	Step CMP	1	
163	89-1233-080162	Mini Hexagonal Bolt (PWSW) M8*16	5	
164	80-1792-988-00	Harness Clip 8	1	
165	0215-21100	Rubber for Fender Cover (86)	1	
166	0217-20300	Bar for Connecting Reinforce	1	
167	0217-20400	Fender Cover Holder	1	
168	0217-20500	Fender Cover (R)	1	
169	0217-20800	Reinforce for Rubber Cover	2	
170	0217-72200	Hexagonal Hole Screw M6*18	8	
171	0217-72300	Flat Washer 6*13*1.0	8	
172	89-1111-060162	Hexagonal Bolt M6*16	2	
173	89-1111-060202	Hexagonal Bolt M6*20	1	
174	89-1390-060142	Welded Bolt M6*14	1	
175	83-1575-189-00	Flange Cap Nut M6	12	
176	89-1713-060002	Flat Washer 6	4	

Fig. 2 TRANSMISSION

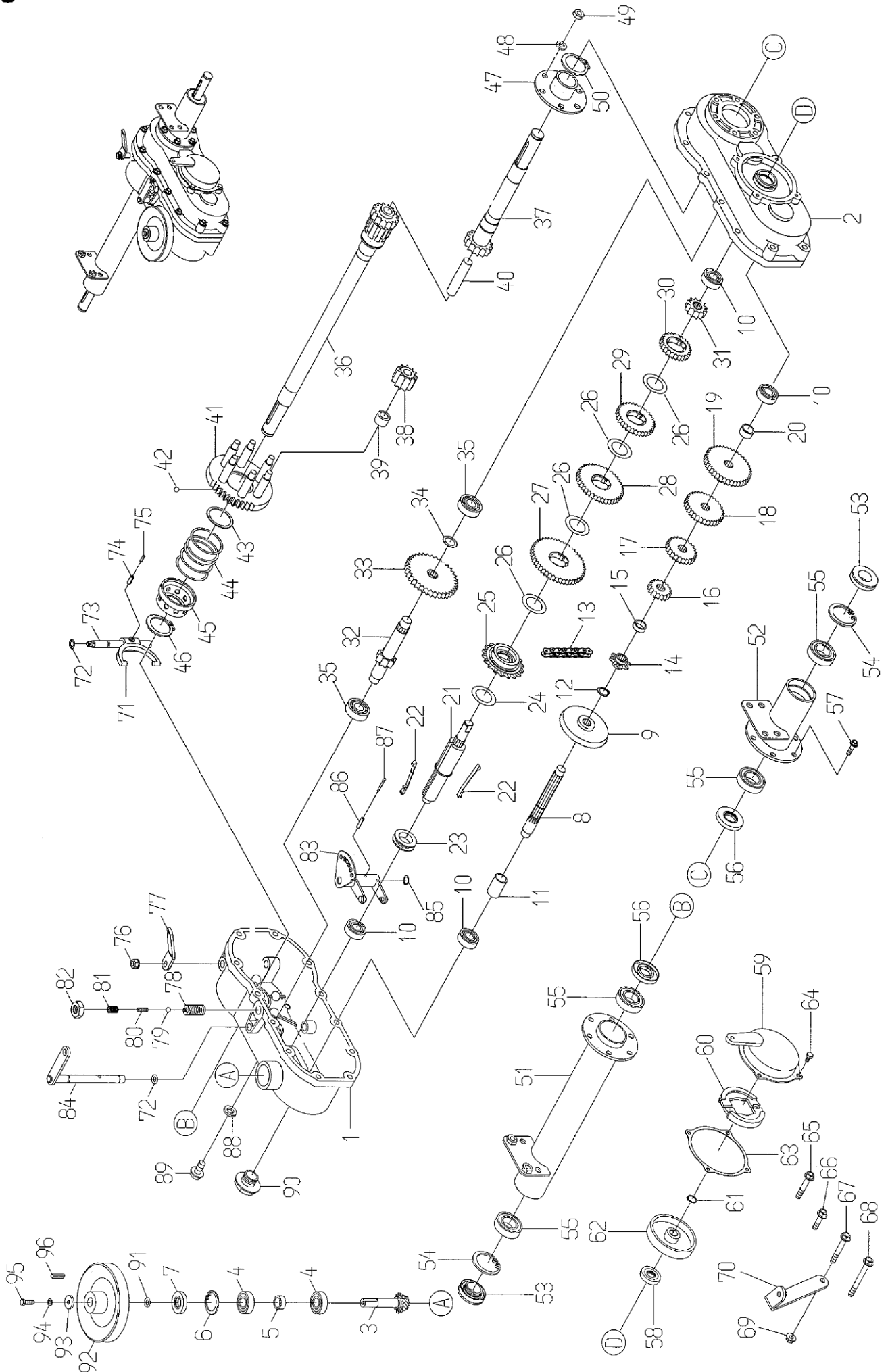


Fig.2 TRANSMISSION

Ref.	Parts No.	Parts Name	Quantity RM86G GXV390	Remarks
1~90	0240-01000	Transmission Assy	1	
1	80-1482-101-00	Transmission Case (Left)	1	
2	80-1482-103-00	Transmission Case (Right)	1	
3	80-1481-118-00	A Axle 15T	1	
4	89-3115-062024	Bearing 6202 2RS	2	
5	80-1482-119-00	A Axle Collar 9	1	
6	89-2512-000350	Snap Ring (R35)	1	
7	89-5121-153507	Oil Seal UE 15.35.7	1	
8	80-1482-122-00	B Axle	1	
9	80-1482-127-00	Bevel Gear 45T	1	
10	89-3111-062024	Bearing 6202	4	
11	80-1482-131-00	Collar 18*22*34	1	
12	89-2511-000170	Snap Ring (S17)	1	
13	89-6513-420024	Chain #420-24L	1	
14	80-1482-128-00	B Axle Sprocket 8T	1	
15	80-1482-129-00	Collar 18*22*7	1	
16	80-1481-123-00	B Axle Gear 18T	1	
17	80-1481-124-00	B Axle Gear 25T	1	
18	80-1481-125-00	B Axle Gear 33T	1	
19	80-1481-126-00	B Axle Gear 40T	1	
20	80-1482-130-00	Collar 18*22*11	1	
21	80-1482-132-10	C Axle	1	
22	80-1482-113-00	Shift Key	2	
23	80-1481-111-00	Shift Key Holder	1	
24	80-1481-139-00	C Axle Thrust Washer 29*40*1.0	1	
25	80-1482-138-00	Sprocket 18T	1	
26	80-1482-139-00	C Axle Thrust Washer 29*44*1.0	4	
27	80-1482-137-00	C Axle Gear 48T	1	
28	80-1482-136-00	C Axle Gear 41T	1	
29	80-1482-135-00	C Axle Gear 33T	1	
30	80-1482-134-00	C Axle Gear 26T	1	
31	80-1482-133-00	C Axle Gear 12T	1	
32	80-1482-142-10	D Axle	1	
33	80-1482-144-00	D Axle Gear 36T	1	
34	83-1830-368-00	Thrust Washer 18*26*1.0	1	
35	89-3111-062034	Bearing 6203	2	
36	80-1482-146-10	Axle (Left) CMP	1	
37	80-1482-147-10	Axle (Right) CMP	1	
38	80-1481-152-00	Differential Gear 11T	4	
39	80-1481-155-00	Differential Gear Shaft Collar	4	
40	80-1415-150-00	Axle Pin	1	
41	0207-02800	Axle Gear CMP	1	
42	89-3410-075000	Steel Ball 7.5	3	
43	83-1830-382-00	Thrust Washer 40*48*1.0	1	
44	80-1751-162-00	Differential Lock Spring	1	
45	80-1425-143-00	Differential Lock Corn	1	
46	89-2511-000400	Snap Ring (S40)	1	
47	80-1481-151-00	Differential Lock Plate	1	with DU Bush28.30
48	89-1750-100002	Spring Washer 10	6	
49	89-1513-100042	Hexagonal Nut (3 sorts) M10	6	
50	89-2511-000280	Snap Ring (S28)	1	
51	80-1484-A11-00	Axle Case (L)	1	
52	80-1484-A12-00	Axle Case (R)	1	
53	83-1415-663-00	Oil Seal AP 30.47.7	2	
54	89-2512-000470	Snap Ring (R47)	2	
55	89-3115-060054	Bearing 6005 2RS	4	
56	89-5121-284708	Oil Seal UE 28.47.8	2	
57	83-1482-143-00	Hexagonal Tap Tight M8*25	12	
58	89-5121-153007	Oil Seal UE 15.30.7	1	
59~63	80-1482-280-00	Brake Assy	1	
59	80-1030-271-00	Brake Cap Assy	1	
60	80-1030-284-00	Brake Shoe (PA-7)	2	

Fig. 2 TRANSMISSION

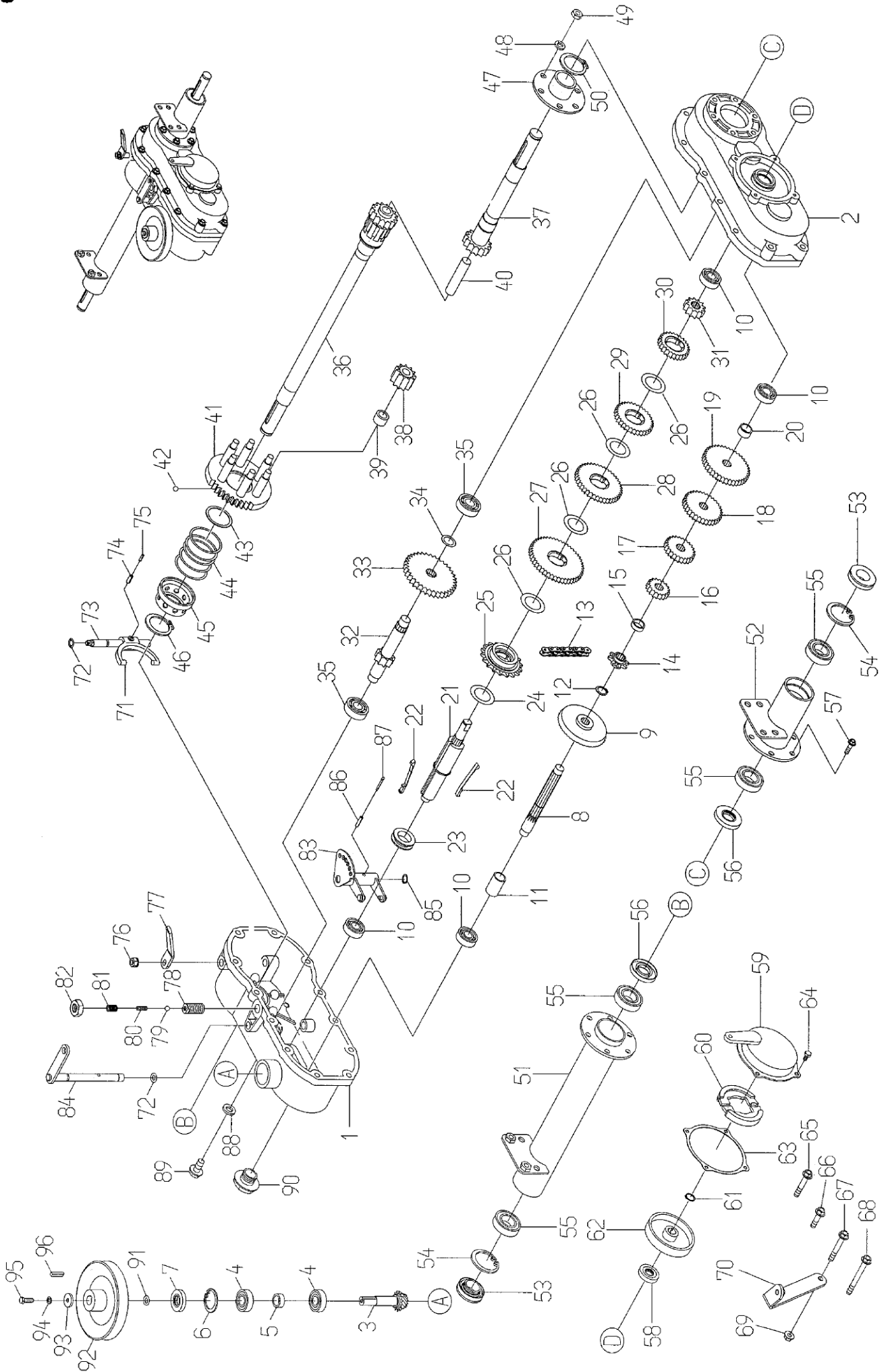


Fig.2 TRANSMISSION

Ref.	Parts No.	Parts Name	Quantity RM86G GXV390	Remarks
61	89-2511-000150	Snap Ring (S15)	1	
62	80-1030-282-00	Brake Drum (PA-7)	1	
63	80-1030-288-00	Brake Cover PK (PA-7)	1	
	0207-04100	Brake Cover PK (PA-7)	1	*1)
64	83-1020-148-00	Tapping Bolt M6*14	4	
65	89-1251-080503	Flange Hexagonal Bolt M8*50	8	
66	89-1251-080403	Flange Hexagonal Bolt M8*40	1	
67	89-1251-080703	Flange Hexagonal Bolt M8*70	1	
68	89-1251-081403	Flange Hexagonal Bolt M8*140	2	
69	89-1555-080003	Flange U Nut M8	12	
70	0240-09100	Transmission Hunger Stay CMP	1	
71	80-1830-113-00	Differential Lock Fork	1	
72	89-5221-009000	O Ring P9	2	
73	80-1481-116-00	Differential Lock Fork Shaft	1	
74	89-2111-050022	Spring Pin 5*22	1	
75	89-2111-030020	Spring Pin 3*20	1	
76	89-1541-080002	Hexagonal Nut (SW) M8	1	
77	80-1484-A13-00	Differential Lock Arm	1	
78	80-1482-162-00	Notch Adjusting Screw	1	
79	89-3410-080000	Steel Ball 8	1	
80	80-1481-160-00	Pushing Spring 1.0	1	
81	89-1172-100161	Hexagonal Hole Screw M10*16	1	
82	89-1514-160042	Hexagonal Nut (3 Sorts,Slender) M16	1	
83	80-1482-108-00	Shift Fork	1	
84	80-1490-110-00	Shift Fork Shaft CMP	1	
85	89-2511-000120	Snap Ring (S12)	1	
86	89-2111-050020	Spring Pin 5*20	1	
87	89-2120-300252	Split Pin 3*25	1	
88	83-1020-349-00	Copper Packing 10.5*18*1.6	1	
89	89-1252-100122	Flange Mini Hexagonal Bolt M10*12	1	
90	83-1032-689-00	Oil Gauge KMS28A	1	
91	80-1484-A14-00	Transmission Pulley Collar	1	
92	80-1482-521-10	Transmission Pulley	1	
93	83-1482-311-00	Washer 6.5*22*3.2	1	
94	89-1750-060002	Spring Washer 6	1	
95	89-1113-060202	Hexagonal Bolt(8T) M6*20	1	
96	89-2151-050250	Key 5*25 (Half Round)	1	

*1) Interchangeable

*2) Serial Number : ~ XG04M00118

*3) Serial Number : XG05D00021~

*4) Serial Number : ~XG05H00060

*5) Serial Number : XG05J00062~

Fig. 3 FRONT AXLE & TIRE

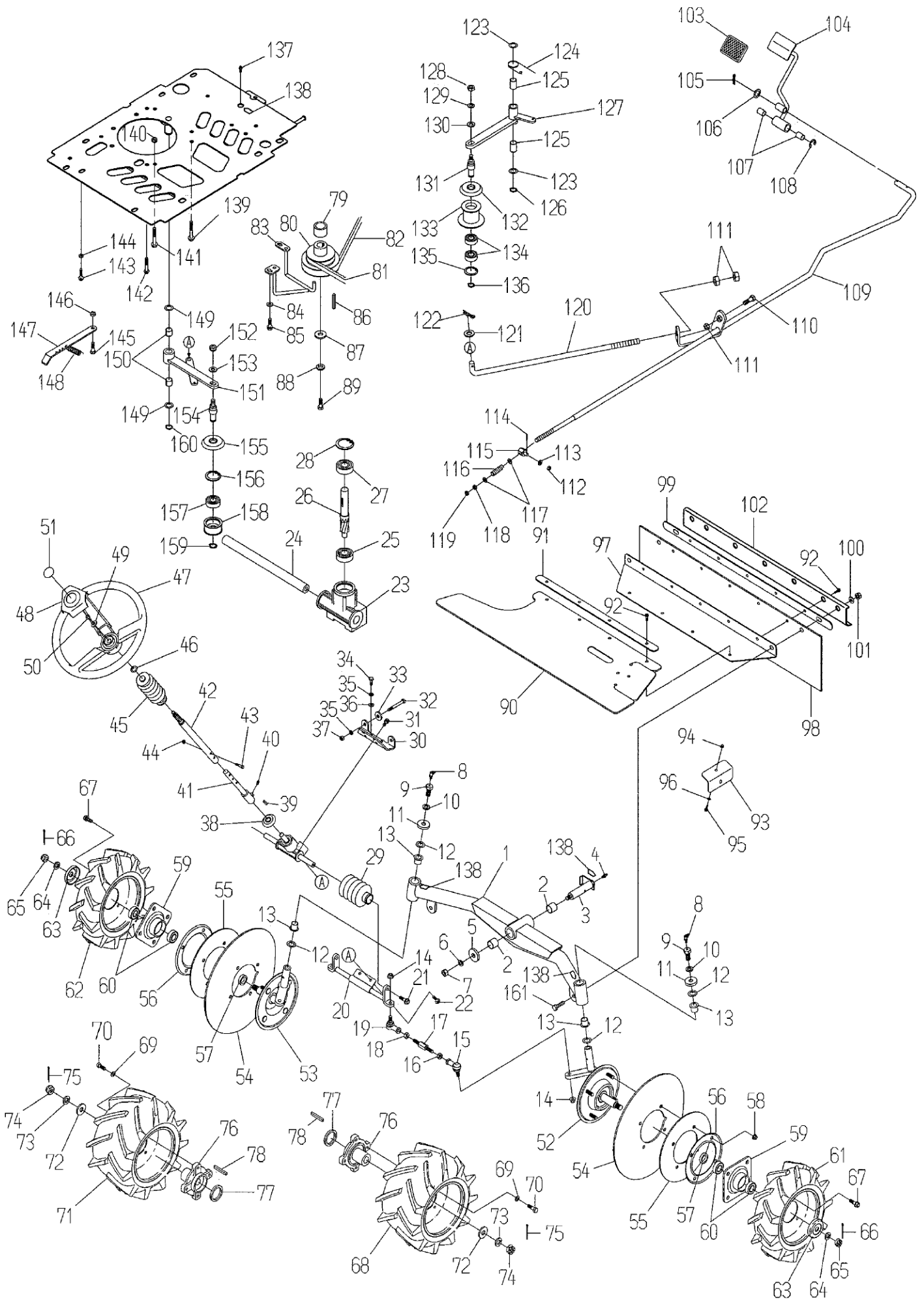


Fig.3 FRONT AXLE & TIRE

Ref.	Parts No.	Parts Name	Quantity RM86G GXV390	Remarks
1	0215-30200	Front Axle CMP	1	
2	89-3510-025350	DU Bush 25.35	2	
3	0207-30700	Center Pin	1	
4	83-1415-975-00	Grease Nipple M6	1	
5	89-1713-120002	Flat Washer 12	1	
6	89-1750-120002	Spring Washer 12	1	
7	89-1551-120002	Hexagonal U Nut M12	1	
8	83-1515-975-00	Grease Nipple C-Type M6	2	
9	84-1783-791-00	Grease Nipple Bolt M14	2	
10	89-1750-140002	Spring Washer 14	2	
11	84-1783-729-00	Dust Cover	2	
12	83-1310-371-00	Thrust Washer 20*30*1.0	4	
13	89-3511-020200	DU Bush 20*20*31F	4	
14	83-1493-255-00	Flange Lock Nut M10(Slender)	4	
15	80-1493-963-00	Link Ball LHSA 10DLE21	2	
16	83-1493-195-00	Hexagonal Nut (slender)M10 Left	2	
17	0207-13100	Tie Rod Adjuster	2	
18	89-1512-100042	Hexagonal Nut M10(Slender)	2	
19	80-1493-962-00	Link Ball LHSA 10DE21	2	
20	80-1484-321-30	Rack Support	1	
21	89-1124-100253	Flange Bolt M10*25(Slender)	2	
22	83-1020-143-00	Tapping Bolt M8*18	2	
23~28	80-1484-962-10	Steering Gear Box Assy	1	
23	80-1484-963-00	Steering Gear Box	1	
24	80-1484-965-00	Steering Horizontal Shaft	1	
25	89-3111-062024	Bearing 6202	1	
26	80-1484-964-00	Steering Vertical Shaft	1	
27	89-3114-062024	Bearing 6202 ZZ	1	
28	89-2512-000350	Snap Ring (R35)	1	
29	80-1490-967-00	Steering Boots	2	
30	80-1484-327-20	Steering Bracket	1	
31	89-1232-080162	Mini Hexagonal Bolt (SW) M8*16	4	
32	89-1211-080702	Mini Hexagonal Bolt M8*70	2	
33	83-1020-312-00	Washer 8*30*3.2	2	
34	89-1213-080202	Mini Hexagonal Bolt (8T) M8*20	2	
35	89-1750-080002	Spring Washer 8	4	
36	89-1713-080002	Flat Washer 8	2	
37	89-1611-080042	Mini Hexagonal Nut M8	2	
38	80-1016-461-00	Bearing Cover	1	
39	89-2150-050200	Key 5*20(Round)	1	
40	83-1493-149-00	Hexagonal Screw M8*10	1	
41	80-1481-324-20	Steering Lower Shaft	1	
42	80-1481-323-20	Steering Upper Shaft	1	
43	89-1113-060282	Hexagonal Bolt (8T) M6*28	1	
44	89-1553-060002	Bag Hexagonal U Nut M6	1	
45	80-1484-325-00	Steering Shaft Cover	1	
46	83-1020-363-00	Thrust Washer 16*24*1.0	1	
47	80-1484-221-00	Steering Wheel	1	
48	80-1484-222-00	Steering Cap	1	
49	89-1713-100002	Flat Washer 10	1	
50	89-1561-100002	Mini Hexagonal U Nut M10	1	
51	80-1484-914-00	Label, Handle (25330)	1	
52	0207-30320	King Pin (R) CMP	1	
53	0207-30220	King Pin (L) CMP	1	
54	0207-30600	Front Wheel Rubber Cover	2	
55	0207-30800	Front Wheel Rubber Cover (IN)	2	
56	0207-30900	Front Wheel Rubber Cover Support	2	
57	0207-31100	King Pin Collar	2	
58	89-1631-080042	Flange Mini Hexagonal Nut M8	8	
59	0207-30410	Front Wheel Boss CMP	2	
60	89-3115-060044	Bearing 6004 2RS	4	

Fig. 3 FRONT AXLE & TIRE

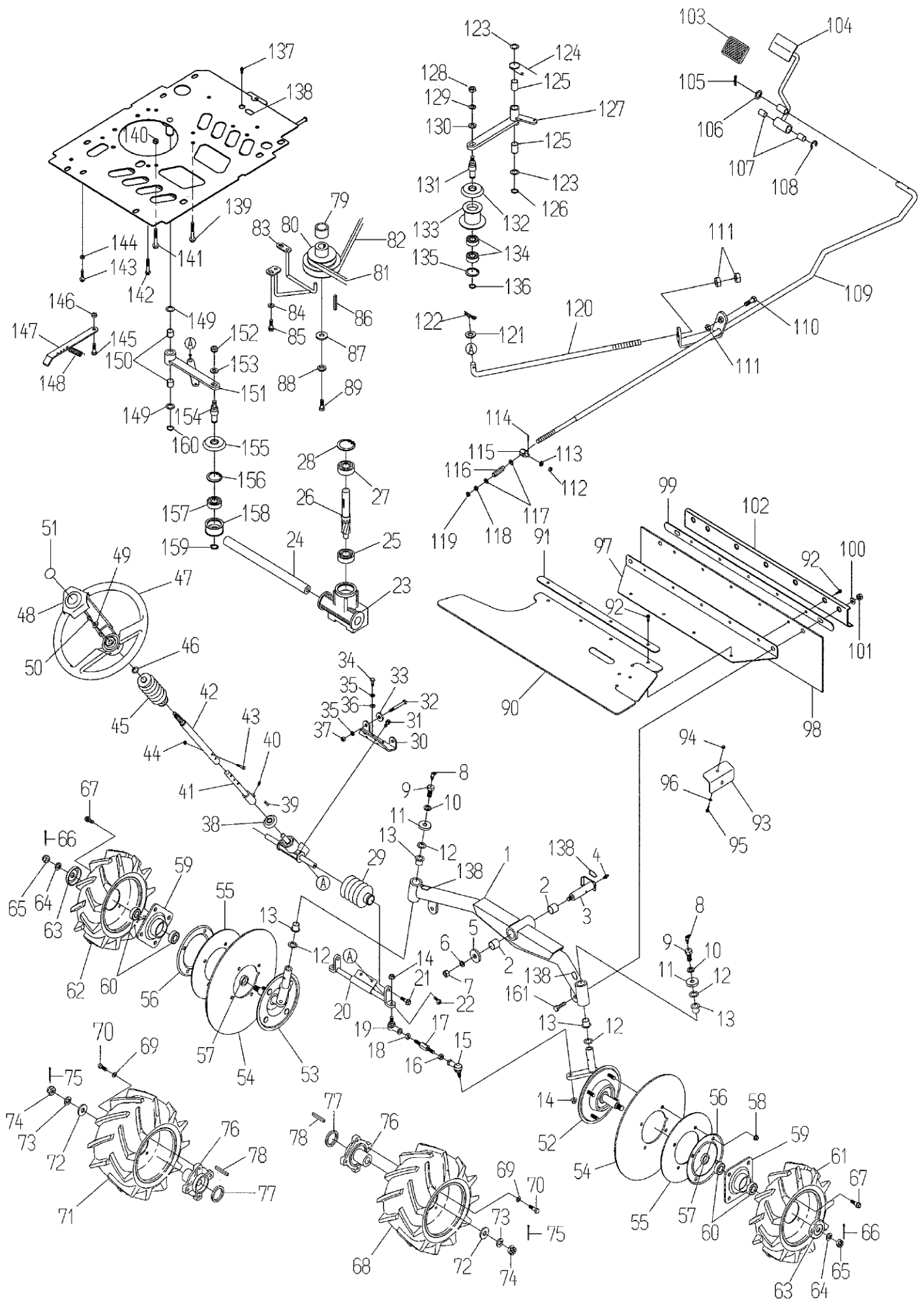


Fig.3 FRONT AXLE & TIRE

Ref.	Parts No.	Parts Name	Quantity RM86G GXV390	Remarks
61	80-1260-412-00	Front Wheel Tire(R) Assy(3.50-7)	1	
62	80-1260-411-00	Front Wheel Tire(L) Assy(3.50-7)	1	
63	0207-30500	Front Wheel Dust Cover	2	
64	89-1750-140002	Spring Washer 14	2	
65	89-1668-140042	Mini Ditch Nut(low 2 sort) M14	2	
66	89-2120-250252	Split Pin 2.5*25	2	
67	89-1232-100202	Mini Hexagonal Bolt(SW) M10*20	8	
68	80-1751-412-00	Tire(R) Assy(16*7.00-8)	1	
69	89-1750-100002	Spring Washer 10	8	
70	89-1213-100252	Mini Hexagonal Bolt(8T) M10*25	8	
71	80-1751-411-00	Tire(L) Assy(16*7.00-8)	1	
72	83-1630-335-00	Washer 16*40*4.5	2	
73	89-1750-160002	Spring Washer 16	2	
74	89-1658-160042	Low Fluted Nut (2 Sorts) M16	2	
75	89-2120-350352	Split Pin 3.5*35	2	
76	0215-30100	Rear Wheel Boss	2	
77	0207-77800	Wheel Boss Dust Seal	2	
78	89-2150-070500	Key 7*50 (Round)	2	
79	80-1481-512-00	Engine Collar 33	1	
80	80-1482-514-00	Engine Pulley	1	
81	89-6133-002900	V Belt(Drive) RCLB-29	1	
82	89-6123-007503	V belt (Cutting) LB-75SG1000	1	
83	80-1485-518-00	Knife Belt Holder (Engine) CMP	1	
84	89-1713-100002	Flat Washer 10	2	
85	89-1232-100202	Mini Hexagonal Bolt(SW) M10*20	2	
86	83-1437-205-00	Key 1/4 inch*40	1	
87	80-1487-516-00	Washer 11*40*6	1	
88	83-1493-300-00	Spring Washer 7/16	1	
89	83-1482-115-00	Hexagonal Bolt(8T) UNF7/16-20*45	1	
90	0215-60600	Upper Flapper	1	
91	80-1437-785-10	Upper Flapper Holder	1	
92	89-1137-060152	Hexagonal Bolt(PW) M6*15	9	
93	0207-60900	Upper Flapper Holder (R)	1	
94	83-1575-189-00	Flange Cap Nut M6	2	
95	89-1137-060172	Hexagonal Bolt (PW) M6*17	2	
96	89-1713-060002	Flat Washer 6	2	
97	0215-81100	Front Upper Guard	1	
98	80-1484-417-20	Front Flapper	1	
99	80-1484-416-20	Front Guard	1	
100	89-1713-100002	Flat Washer 10	2	
101	89-1543-100002	Mini Hexagonal Nut(SW) M10	2	
102	0215-80600	Food Guard	1	
103	80-1781-943-00	Pedal Rubber	1	
104	0207-10100	Brake Pedal	1	
105	89-2131-120002	Snap Pin 12	1	
106	89-1711-120002	Flat Washer 12	1	
107	89-3510-016250	DU Bush 16.25	2	
108	89-2521-000150	E Type Ring 15	1	
109	80-1490-352-00	Brake Rod CMP	1	
	0237-31100	Brake Rod CMP	1	*1)
110	89-1213-100352	Mini Hexagonal Bolt(8T) M10*35	1	
111	89-1611-100042	Mini Hexagonal Nut M10	3	
112	83-1493-198-00	Hexagonal U Nut M6 (Rock)	1	
113	89-1711-060002	Flat Washer 6	1	
114	89-2120-200152	Split Pin 2*15	1	
115	80-1481-358-10	Brake Joint	1	
116	80-1484-672-00	Spring 20	1	
117	89-1711-080002	Flat Washer 8	2	
118	89-1611-080042	Mini Hexagonal Nut M8	1	
119	83-1490-198-00	Hexagonal U Nut M8 (Rock)	1	
120	80-1484-361-00	Shift Rod	1	
121	89-1711-100002	Flat Washer 10	1	

Fig.3 FRONT AXLE & TIRE

Ref.	Parts No.	Parts Name	Quantity RM86G GXV390	Remarks
122	89-2131-100002	Snap Pin 10	1	
123	83-1020-363-00	Thrust Washer 16*24*1.0	2	
124	80-1481-568-00	Knife Tension Return Spring φ26.7	1	
125	89-3510-016250	DU Bush 16.25	2	
126	89-2511-000160	Snap Ring (S16)	1	
127~136	0207-41010	Knife Tension Arm Assy	1	
127	0207-41210	Knife Tension Arm	1	
128	89-1611-100042	Mini Hexagonal Nut M10	1	
129	89-1750-100002	Spring Washer 10	1	
130	89-1711-100002	Flat Washer 10	1	
131	83-1482-763-00	Tension Pulley Shaft	1	
132	80-1482-549-00	Rubber Cover 58	1	
133	83-1483-782-00	Knife Tension Pulley	1	
134	89-3114-062024	Bearing 6202 ZZ	2	
135	89-2512-000350	Snap Ring (R35)	1	
136	89-2511-000150	Snap Ring (S15)	1	
137	83-1415-975-00	Grease Nipple M6	1	
138	0215-81500	Label Grease	4	
139	83-1482-116-00	Hexagonal Bolt UNF5/16-24*25	2	
140	89-1543-080002	Mini Hexagonal Nut (SW) M8	2	
141	89-1211-080402	Mini Hexagonal Bolt M8*40	2	
142	89-1253-080352	Flange Hexagonal Bolt (8T) M8*35	4	
143	89-1211-080552	Mini Hexagonal Bolt M8*55	1	
144	89-1631-080042	Flange Mini Hexagonal Nut M8	2	
145	89-1211-100252	Mini Hexagonal Bolt M10*25	1	
146	89-1611-100042	Mini Hexagonal Nut M10	1	
147	0207-41100	Drive Tension Spring Arm	1	
	0247-41100	Drive Tension Spring Arm	1	*1)
148	80-1481-551-00	Spring for Drive Tension	1	
150~160	80-1482-541-10	Drive Tension Arm Assy	1	
149	83-1020-363-00	Thrust Washer 16*24*1.0	2	
150	89-3510-016150	DU Bush 16.15	2	
151	80-1484-543-10	Driving Tension Arm CMP	1	
152	89-1543-100002	Mini Hexagonal Nut(SW) M10	1	
153	89-1711-100002	Flat Washer 10	1	
154	83-1482-765-00	Tension Pulley Shaft	1	
155	80-1482-549-00	Rubber Cover 58	1	
156	89-2512-000400	Snap Ring (R40)	1	
157	89-3117-062034	Bearing 6203 2RD	1	
158	83-1032-765-00	Tension Pulley	1	
159	89-2511-000170	Snap Ring (S17)	1	
160	89-2511-000160	Snap Ring (S16)	1	
161	89-1213-100357	Mini Hexagonal Bolt (8T) M10*35	2	

Fig. 4 ELECTRIC EQUIPMENT

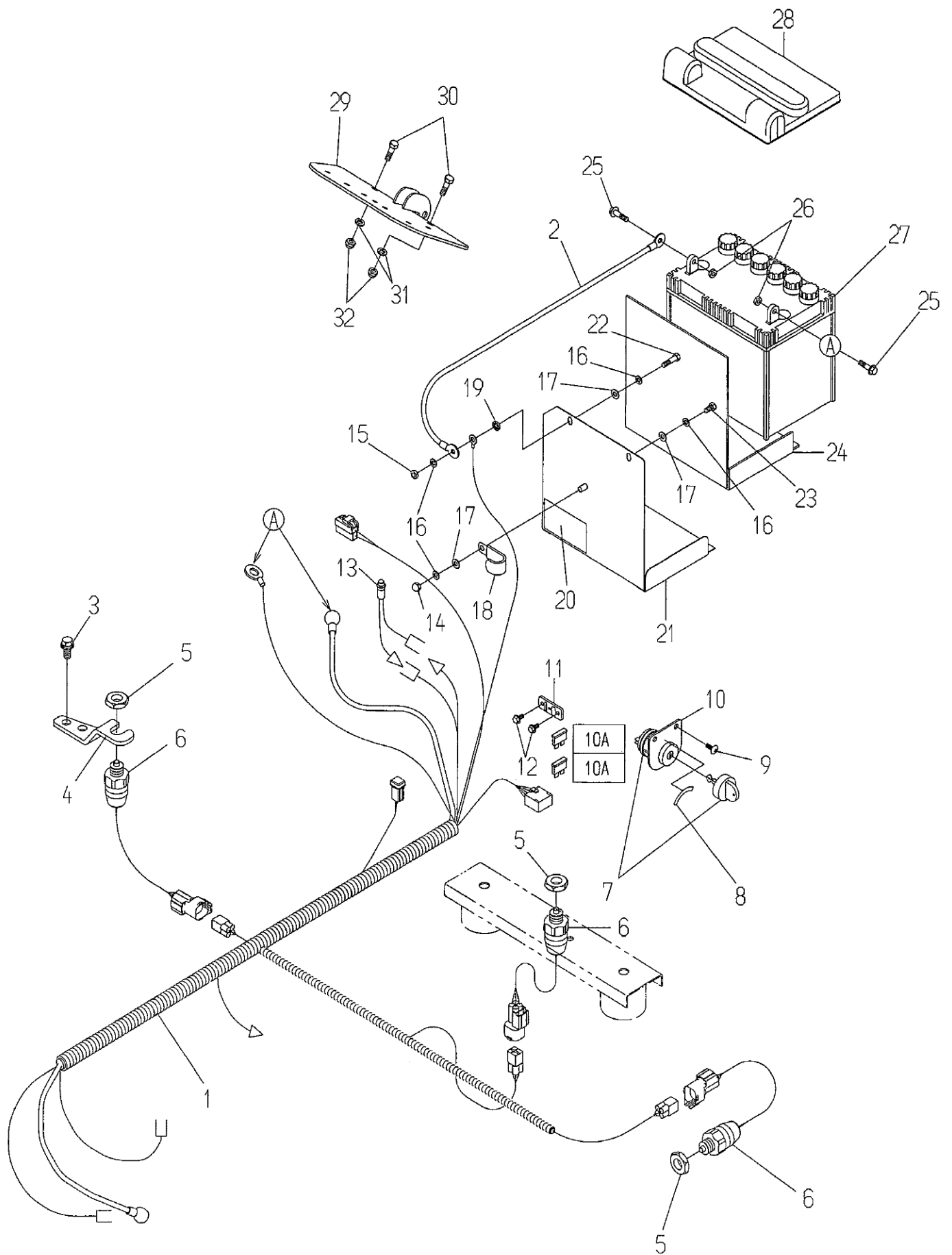


Fig.4 ELECTRIC EQUIPMENT

Ref.	Parts No.	Parts Name	Quantity RM86G GXV390	Remarks
1	80-1490-946-20	Wire Harness (H)	1	
2	0207-77200	Battery Minus Cord 230	1	
3	89-1236-080202	Mini Hexagonal Bolt(PWSW) M8*20	2	
4	0207-10610	Cutting Height Switch Bracket	1	
5	0207-72800	Switch Lock Nut	3	
6	0207-74400	Safety Switch K17850	3	
7	0207-79700	Key Switch	1	
8	80-1488-912-00	Label, Key (13121)	1	
9	89-1159-060168	Truss Mini Screw M6*16	2	
10	80-1482-332-00	Key Switch Bracket	1	
11	0207-79200	Fuse Box Bracket	1	
12	89-1137-060122	Hexagonal Bolt (PW) M6*12	2	
13	0207-79300	Pilot Lamp	1	
14	89-1571-060042	Cap Nut M6	1	
15	89-1511-060042	Hexagonal Nut M6	1	
16	89-1750-060002	Spring Washer 6	4	
17	89-1711-060002	Flat Washer 6	3	
18	80-1792-988-00	Harness Clip 8	1	
19	89-1812-060002	Toothed washer (inside) 6	1	
20	80-1488-921-00	Label Pedal Stopper (13113)	1	
21	80-1490-383-40	Battery Carrier	1	
22	89-1111-060252	Hexagonal Bolt M6*25	1	
23	89-1111-060142	Hexagonal Bolt M6*14	2	
24	80-1482-971-00	Cushion Rubber (Battery)	1	
25	Battery Parts	Washer Based Bolt M6*20	2	
26	Battery Parts	Hexagonal Nut M6	2	
27	80-1792-976-00	Battery(32A-19L)	1	
28	0207-63200	Battery Cover	1	
29	0207-20800	Light Bracket	1	
30	89-1211-080162	Mini Hexagonal Bolt M8*16	2	
31	89-1750-080002	Spring Washer 8	2	
32	89-1671-080042	Mini Hexagonal Cap Nut M8	2	

Fig. 5 CUTTING PARTS & COVER

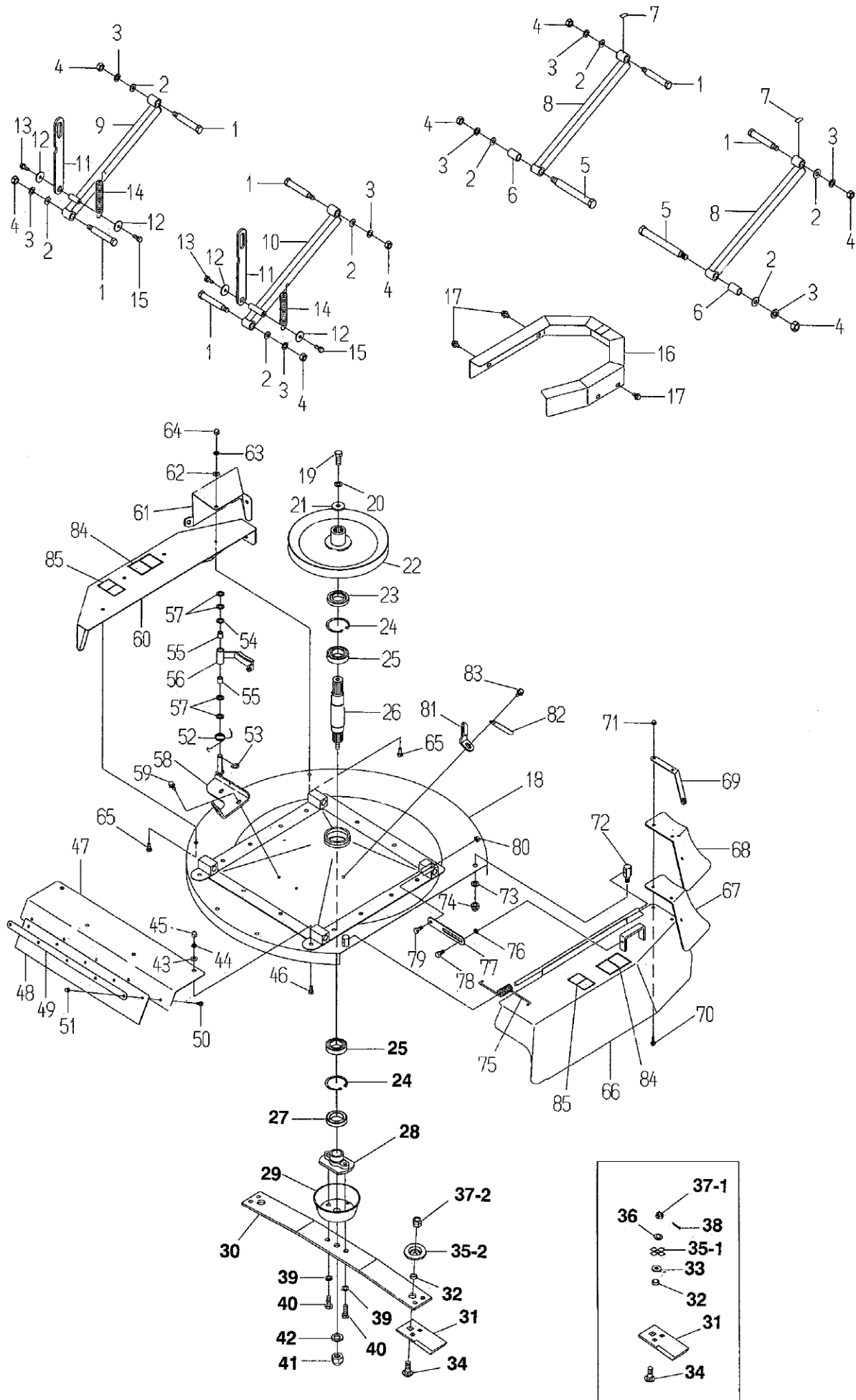


Fig.5 CUTTING PARTS & COVER

Ref.	Parts No.	Parts Name	Quantity RM86G GXV390	Remarks
1	80-1481-709-20	Link Bolt	6	
2	89-1711-120002	Flat Washer 12	8	
3	89-1750-120002	Spring Washer 12	8	
4	89-1551-120002	Hexagonal U Nut M12	8	
5	0207-51600	Link Bolt	2	
6	0207-51500	Link Collar	2	
7	0215-81900	Label, Oiling	6	
8	80-1482-707-00	Link Arm (Front)	2	
9	80-1482-708-00	Link Arm (Rear)	1	
10	80-1485-707-00	Link Arm (Right-Rear)	1	
11	80-1484-275-20	Connecting Plate (Left)	2	*4)
	0215-82110	Connecting Plate (Left)	1	*5)
	0215-82210	Connecting Plate (Right)	1	*5)
12	83-1751-311-00	Washer 8*25*2.3	4	
13	89-1235-080252	Mini Hexagonal Bolt (SW) M8*25	2	
14	80-1484-276-10	Spring (Up/Down)	2	
15	89-1232-080162	Mini Hexagonal Bolt (SW) M8*16	2	
16	80-1484-501-30	Knife Belt Cover	1	
17	89-1236-080162	Mini Hexagonal Bolt(PWSW) M8*16	3	
18	0215-82800	Safety Cover CMP (New)	1	
19	89-1213-120302	Mini Hexagonal Bolt(8T) M12*30	1	
20	89-1750-120002	Spring Washer 12	1	
21	83-1483-328-00	Washer 12*36*4.5	1	
22	0207-50400	Knife Pulley CMP	1	
23	89-5121-356210	Oil Seal UE 35.62.10	1	
24	89-2512-000620	Snap Ring (R62)	2	
25	89-3115-060074	Bearing 6007 2RS	2	
26	80-1483-641-00	Vertical Shaft	1	
27	83-1560-651-00	Oil Seal AP 40.62.12	1	
28	80-1483-733-00	Knife Bracket	1	
29	80-1483-836-00	Knife Neck Guard	1	
30	80-1483-817-00	Knife Stay	1	
31	80-1483-821-00	Knife	2	
32	80-1483-818-00	Knife Collar	2	
33	83-1483-329-00	Washer 14*30*3.2	2	*2)
34.35-1.36				
37-1.38	0207-50910	Knife Setting Bolt Set	2	*2)
34.35-2				
37-2	24478200	Knife Setting Bolt Set	2	*1) *3)
34	0207-50200	Knife Setting Bolt M14*34	2	
35-1	0207-50310	Nut Guard 14	2	*2)
35-2	0244-51800	Nut Guard	2	*3)
36	89-1750-140002	Spring Washer 14	2	*2)
37-1	89-1668-140042	Mini Ditch Nut(low 2 sort) M14	2	*2)
37-2	0244-74600	Hard Lock Nut M14	2	*3)
38	89-2120-300252	Split Pin 3*25	2	*2)
39	89-1750-120002	Spring Washer 12	2	
40	83-1483-129-00	Mini Hexagonal Bolt(8T) M12*30	2	
41	80-1483-845-00	Bag Nut M20	1	
	83-1483-175-00	Bag Nut M20 (Lock)	1	*1)
42	89-1750-200002	Spring Washer 20	1	
43	89-1714-080002	Flat Washer 8	4	
44	89-1750-080002	Spring Washer 8	4	
45	89-1671-080042	Mini Hexagonal Cap Nut M8	4	
46	89-1211-080202	Mini Hexagonal Bolt M8*20	4	
47	80-1482-755-10	Rear Guard	1	
48	0215-80900	Rear Guard Flapper	1	
49	80-1482-782-00	Rear Guard Flapper Holder	1	
50	89-1137-060152	Hexagonal Bolt(PW) M6*15	5	
51	83-1575-189-00	Flange Cap Nut M6	5	
52	80-1482-373-00	Brake Return Spring	1	
53	89-2521-000100	E Type Ring 10	2	

Fig. 5 CUTTING PARTS & COVER

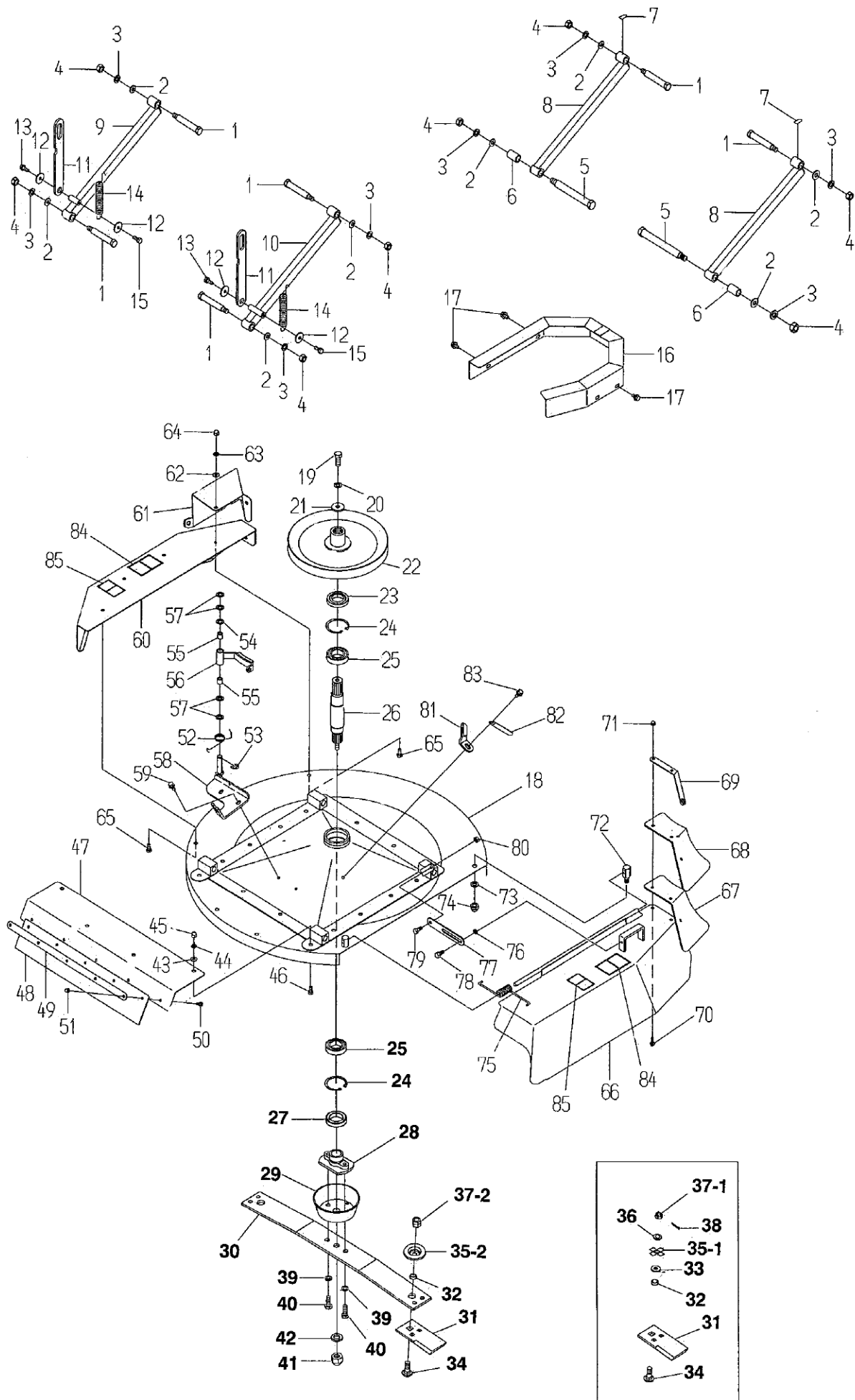


Fig.5 CUTTING PARTS & COVER

Ref.	Parts No.	Parts Name	Quantity RM86G GXV390	Remarks
54	83-1754-329-00	Washer 13*22*1.0	1	
55	89-3510-012200	DU Bush 12.20	2	
56	80-1482-371-30	Knife Brake (6t)	1	
57	83-1565-329-00	Washer 13*22*2.3	4	
58	0207-52120	Knife Brake Bracket CMP(NEW)	1	
59	89-1236-080202	Mini Hexagonal Bolt(PWSW) M8*20	2	
60	0215-81400	Left Cover CMP	1	
61	0215-81300	Left Front Cover	1	
62	89-1714-080002	Flat Washer 8	4	
63	89-1750-080002	Spring Washer 8	4	
64	89-1671-080042	Mini Hexagonal Cap Nut M8	4	
65	89-1211-080162	Mini Hexagonal Bolt M8*16	4	
66	80-1491-753-00	Cover CMP (Right)	1	
67	0215-81200	Right Front Cover	1	
68	80-1484-757-10	Cover Flapper (Right)	1	
69	80-1484-758-00	Flapper Holder(Right)	1	
70	89-1137-060202	Hexagonal Bolt(PW) M6*20	2	
71	83-1575-189-00	Flange Cap Nut M6	3	
72	80-1493-748-00	Right Cover Receiver Bolt	2	
73	89-1750-120002	Spring Washer 12	2	
74	89-1671-120042	Mini Hexagonal Cap Nut M12	2	
75	0217-71100	Right Cover Spring	1	
76	89-1750-080002	Spring Washer 8	1	
77	0221-52400	Right Cover Up/Down Arm	1	
78	80-1488-747-00	Bolt for Right Cover Up/Down Arm	1	
79	89-1213-080202	Mini Hexagonal Bolt (8T) M8*20	1	
80	89-1561-080002	Mini Hexagonal U Nut M8	1	
81	80-1484-617-00	Knife Pulley Belt Holder	2	
82	80-1792-988-00	Harness Clip 8	1	
83	89-1236-080202	Mini Hexagonal Bolt(PWSW) M8*20	2	
84	80-1488-926-10	Label, Caution for Knife	2	
85	80-1488-928-10	Label, Caution for Belt Involving	2	

Fig. 6 OPTIONS & ACCESSORIES

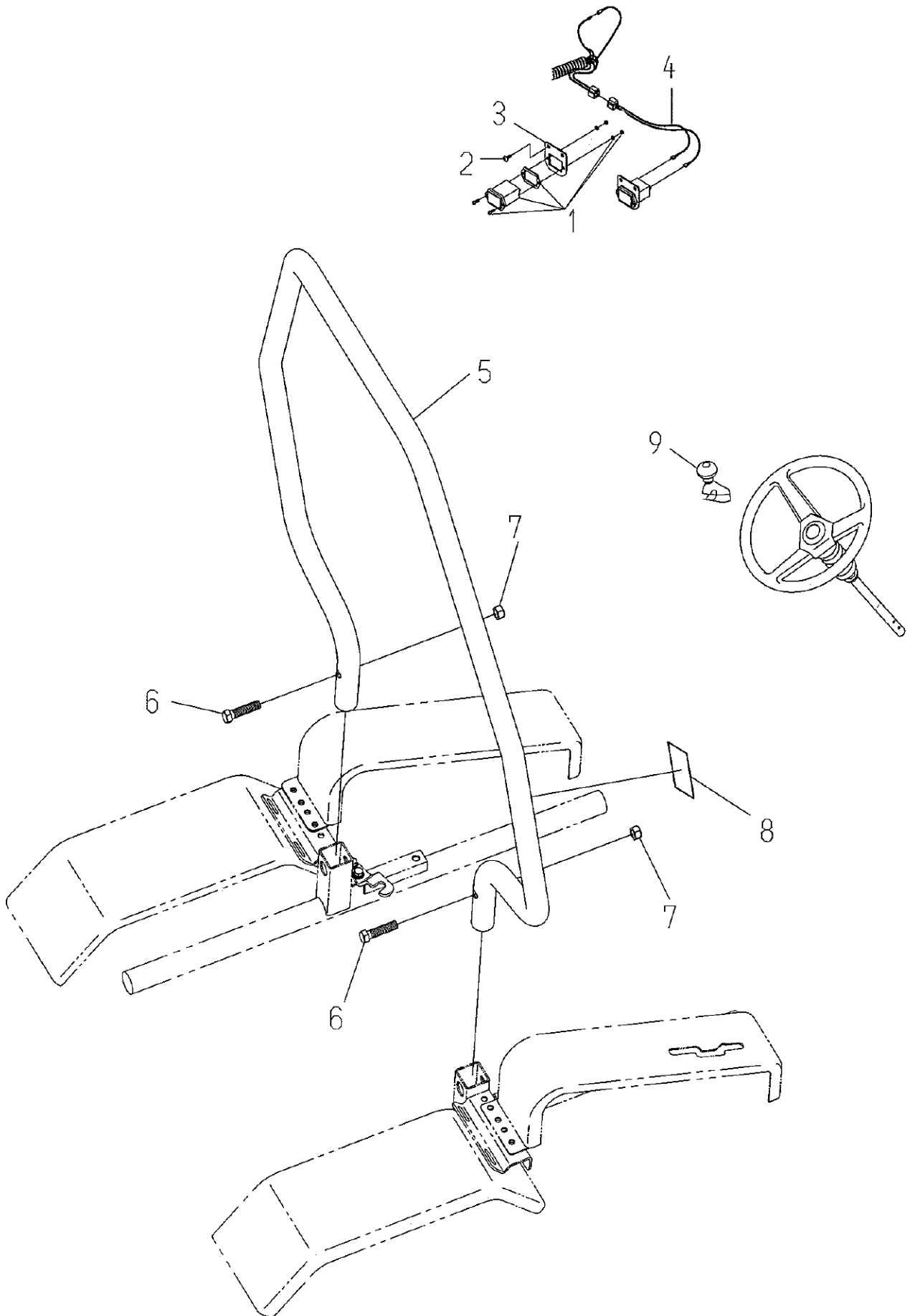


Fig.6 OPTIONS & ACCESSORIES

Ref.	Parts No.	Parts Name	Quantity RM86G GXV390	Remarks
1~4	85-1484-940-00	Hour Meter Assy	1	
1	85-1484-941-00	Hour Meter	1	
2	89-1159-060168	Truss Mini Screw M6*16	2	
3	85-1484-943-10	Hour Meter Bracket	1	
4	85-1484-942-00	Wire Harness for Hour Meter	1	
5~8	0207-80600	Upper Flame Set	1	
5	0207-80500	Upper Flame CMP	1	
6	89-1113-120502	Hexagonal Bolt (8T) M12*50	2	
7	89-1551-120002	Hexagonal U Nut M12	2	
8	0207-80400	Label, Caution for Upper Flame	1	
9	80-1487-223-00	Sub Handle Assy	1	